

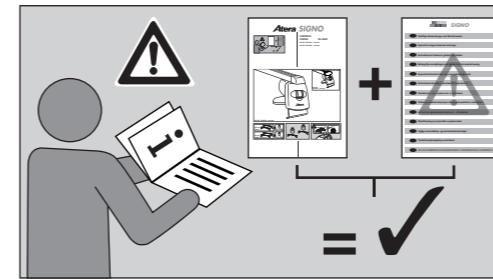
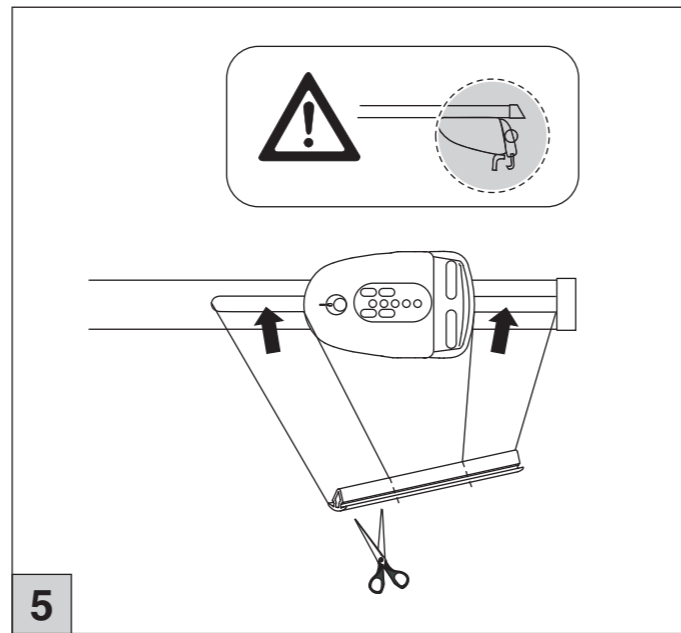
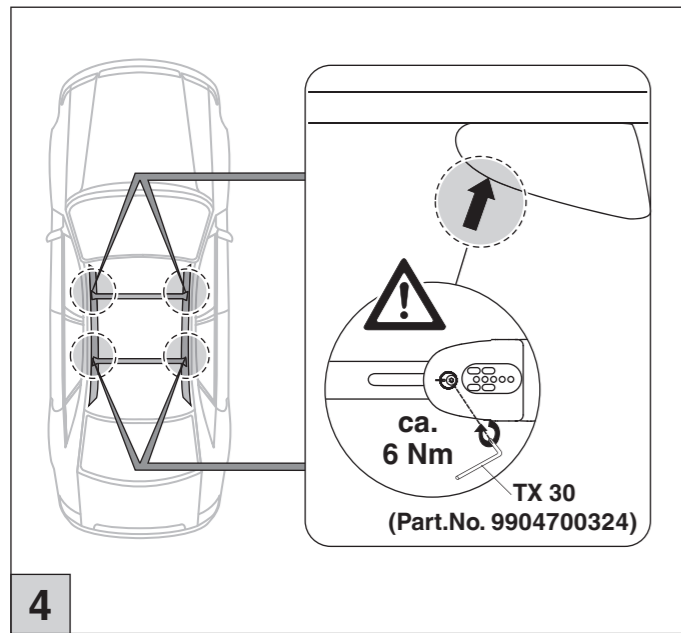
Atera SIGNO

Jaguar XF Sportbrake Reling 09/2017–
Jaguar E-Pace Reling 01/2018–

Atera SIGNO

Jaguar
XF Sportbrake 09/2017–
(mit Reling / with rail / avec rails de toit)
E-Pace 01/2018–
(mit Reling / with rail / avec rails de toit)

Art.-Nr. / Part-No.: 044 360
Art.-Nr. / Part-No.: 047 360



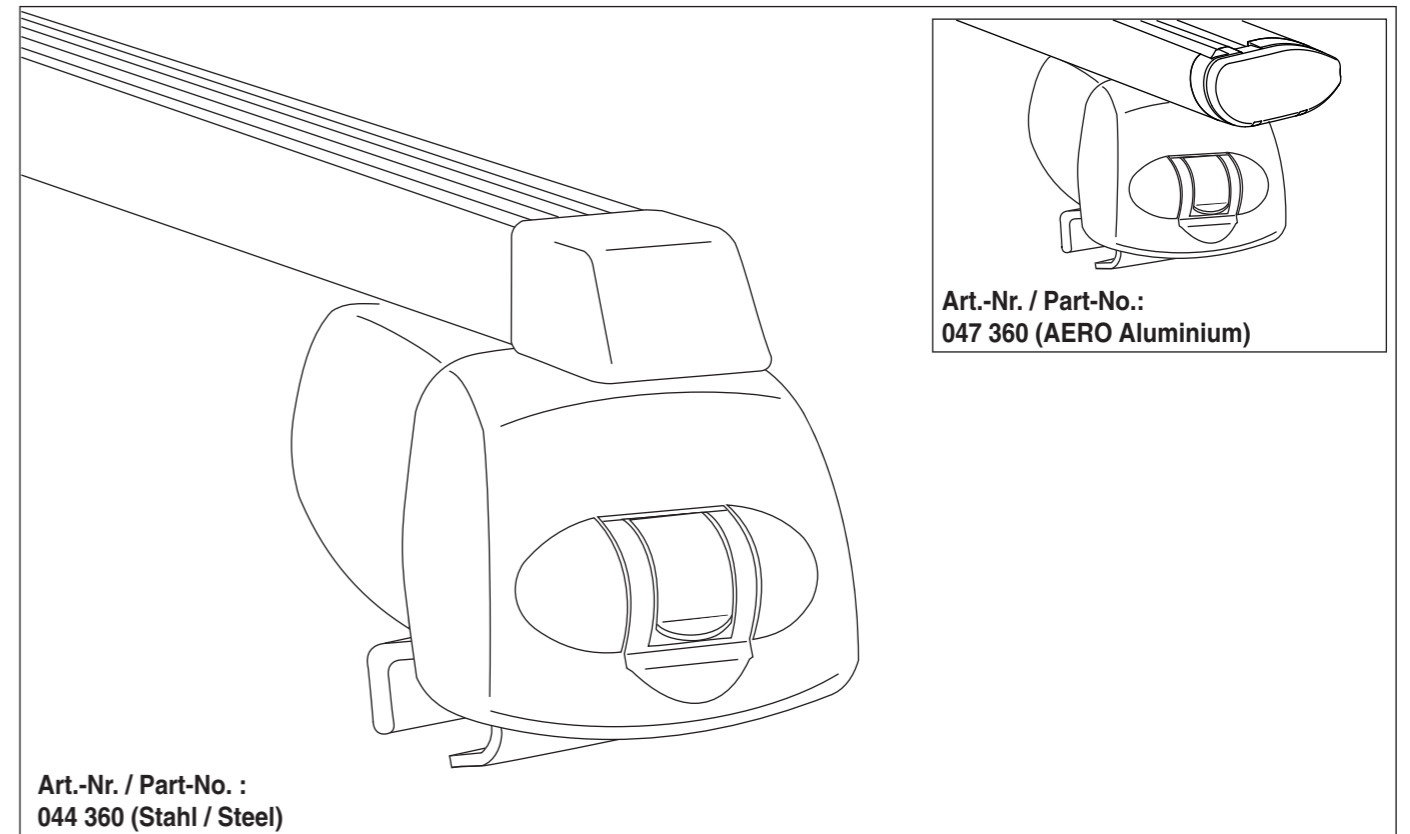
nur bei Art.Nr.: 047 360
only for part no.: 047 360

A- 9919700163
B- 9945700223
C1- 8828700062
C2- 8828700063

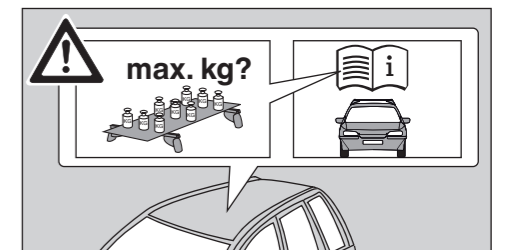
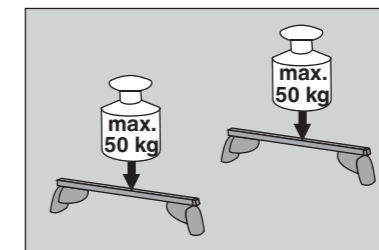
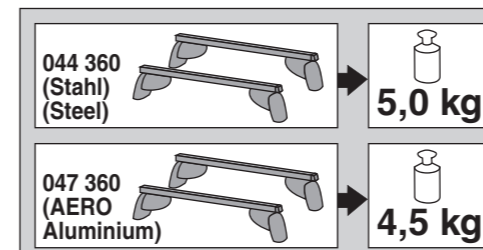
- 1- 9945700092
- 2- 9919700143
- 3- 9945700105
- 4- 9912700051
- 5a- 9918700526
- 5b- 9918700527
- 6- 9923700009
- 7- 9918700250
- 8- 9918700249
- 9- 9904700466
- 10- 9912700086
- 11- 9910700004
- 12- 9908700231
- 13- 9908700209
- 14- 9918700228
- 15- 9918700246
- 16- 9917700010
- 17- 9918700588
- 18- 9918700245
- 19- 9910700004
- 20- 9908700375
- 21- 9918700247
- 22a- 9949700490
- 22b- 9949700490
- 22c- 9949700490
- 22d- 9949700490

8830700387

9904700324



Art.-Nr. / Part-No. :
044 360 (Stahl / Steel)



Atera
MADE IN GERMANY

Atera GmbH
Im Herrach 1
D-88299 Leutkirch
Internet: www.atera.de



© ATERA GmbH
Ref.-Nr.: 044 360_096594436000_992570050200
Ref.-Nr.: 047 360_096594736000_992570050200
Stand/State: 22/03/2018 – Rev 00 Ver 00

Atera SIGNO

Jaguar XF Sportbrake Reling 09/2017–
Jaguar E-Pace Reling 01/2018–

Atera SIGNO

Jaguar XF Sportbrake Reling 09/2017–
Jaguar E-Pace Reling 01/2018–

